

## DELMAG Drill Rig RH 24 Short Mast Version



The DELMAG Kelly drill rig RH 24 in short mast version is directly derived from the recently introduced RH24 with the same performance characteristics. At maximum reach this compact unit has a working height of only 7600 mm. This allows using the rig in low head room areas like under bridges, power lines, inside buildings etc. The RH24 features a new rotary head BT 240 and offers great design details like:

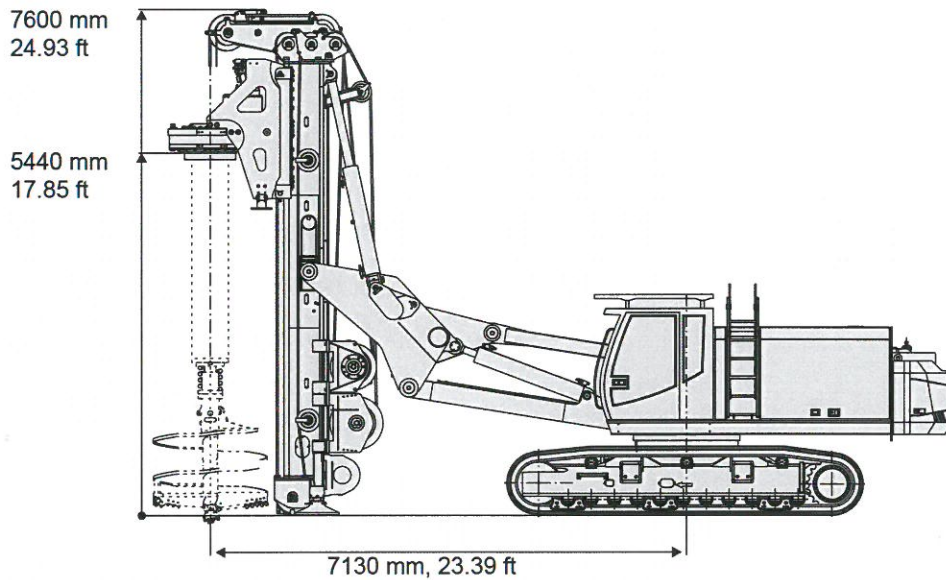
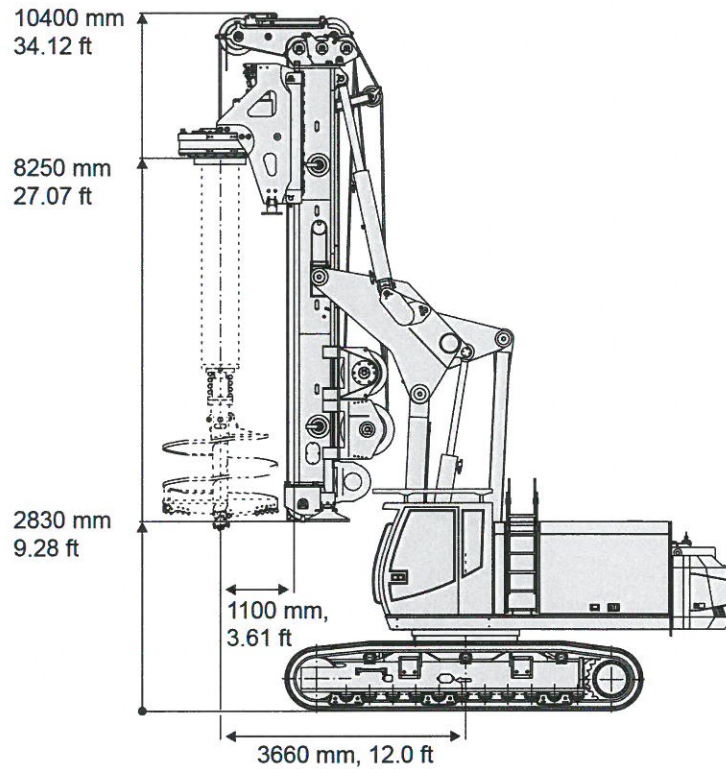
- High stiffness of the leader mast
- High winch pulling forces
- Fast assembly and disassembly of the rotary head via Docking-System
- Ergonomically designed and clearly arranged cabin
- Intuitive control system

The short mast version can be converted into a standard model thus allowing the end user to cover a wider field of applications with one unit.



productive · solid · compact





### Leader Mast

Total height		mm	10400	ft	34.12
Inclination:	left / right	Grad	9 / 5	degrees	9 / 5
	forward / backward	Grad	4 / 14	degrees	4 / 14
Stroke rotary head		mm	4000	ft	13.12
Crowd force (on guiding carriage)	up / down effective	kN	340 / 230	lbs	76000 / 52000
	up / down nominal	kN	430 / 290	lbs	97000 / 65000
Rapid gear	up / down	m/min	25 / 25	ft/min	82 / 82
Working gear	up / down	m/min	7 / 7	ft/min	23 / 23
Support cylinder	stroke	mm	200	in	7.9
	cylinder force (at 300 bar / 4350 psi)	kN	740	lbs	166000

### Crowd Winch

Line diameter		mm	24	in	0.94
Speed (sheared)	working gear / rapid gear	m/min	7 / 25	ft/min	23 / 82

### Kelly Winch (Free wheeling)

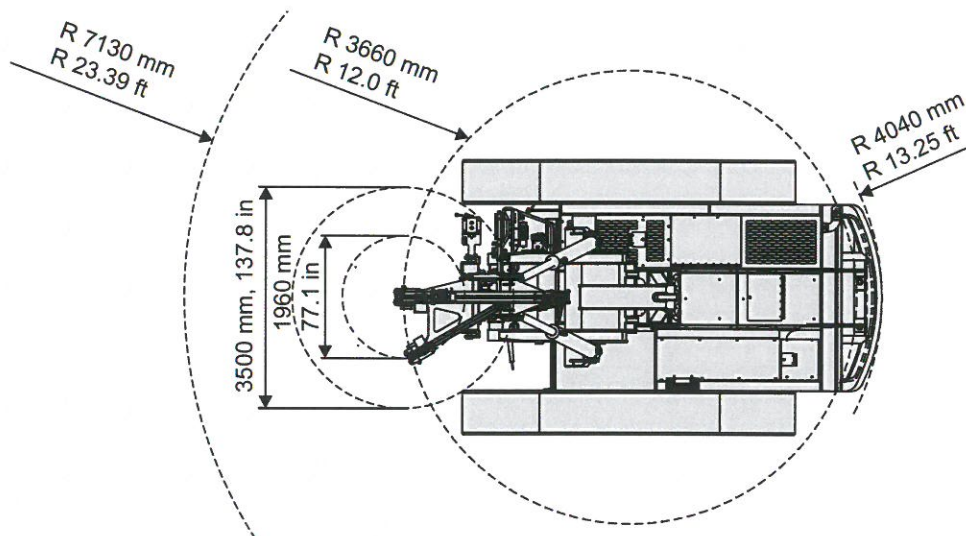
Line pull	effective / nominal	kN	210 / 265	lbs	47200 / 59600
Speed	constant motor	m/min	52	ft/min	170
Line diameter		mm	24	in	0.94
Usable line length in the first layer		mm	46000	ft	150

### Auxiliary Winch

Line pull	effective / nominal	kN	75 / 100	lbs	17000 / 22000
Line diameter		mm	18	in	0.7
Geschwindigkeit, eingestellt		m/min	30	ft/min	98

### Carrier SR 30 BT

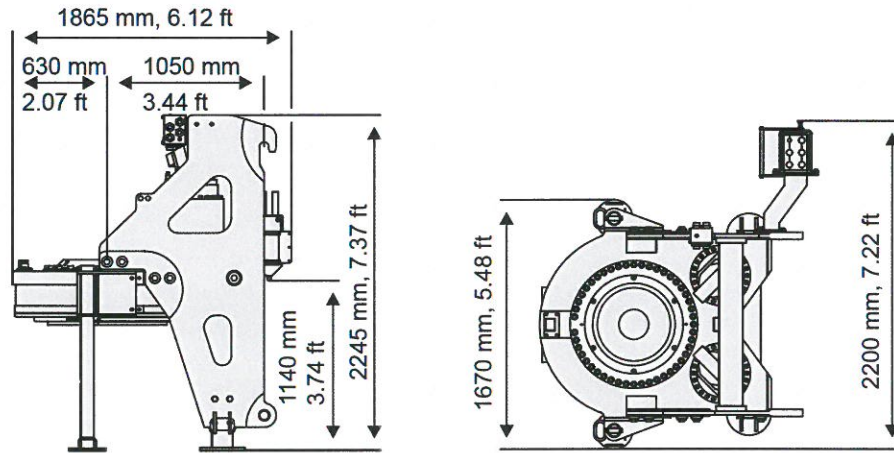
Engine		SCANIA DC9			
Engine power		kW	257	HP	345
Emissions standards		EU Stage IIIB / US EPA Tier 4i			
Emission after treatment system		SCR / AdBlue / DEF			
Working pressure (pump output)		bar	330	psi	4780
Hydraulic pumps (adjusted)		l/min	2 x 250 1 x 182	gal/min	2 x 66 2 x 48
Hydraulic tank (liquid level / capacity)		l	550 / 770	gal	145 / 203
Diesel tank		l	630	gal	166
Ambient temperature range		°C	-20 ... +40	F	-4 ... +104
Undercarriage S50/44CVT	pulling force at 320 bar / 4640 psi	kN	690	lbs	155100
	Driving speed	km/h	1,2 - 2,4	ft/min	54.7 - 109
	Track shoes width	mm	900	in	35.43





### Rotary Head BT 240

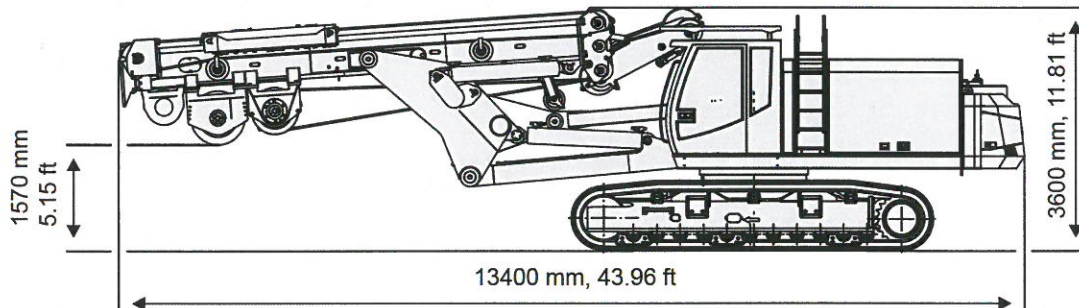
Torque at 320 bar / 4640 psi	kNm	245	ft.lbs	180700
Revolutions at max torque / nominal	1/min	10	rpm	10
Revolutions rock gear	1/min	0 - 28	rpm	0 - 28
Revolutions spin off	1/min	55	rpm	55
Free diameter in front of the crowd pulleys	mm	1960	in	77.2
Max. diameter drilling beneath the mast foot	mm	3500	in	137.8
Distance mast - center head	mm	1100	in	43.3
Weight	kg	5200	lbs	11500



### Weight

with rotary head, without Kelly bar	t	69,3	lbs	152800
without rotary head, without Kelly bar	t	64,1	lbs	141300
detachable counterweight	t	8 + 4	lbs	17650 + 8820

### Transport Dimensions



Transport width	mm	3400	ft	11.15
-----------------	----	------	----	-------

ABI GmbH  
 Am Knüchel 4  
 D-63843 Niedernberg  
 Germany  
 Phone: +49 (0) 6028 123-0  
 eMail: info@abi-gmbh.de  
 Web: www.abi-gmbh.de

For further informations please contact your DELMAG sales assistant. Design subject to modifications. The details in this leaflet have to be regarded as approximate. The illustrations also can contain special outfits which are not part of the standard scope of supply. Not represented equipment variants can lead to modifications of the technical data. The reproduction and utilization of this document, even in form of excerpts, without express authorization is prohibited. Offenders will be held liable for the payment of damages.